

Self contained Make-up/ Break-out unit

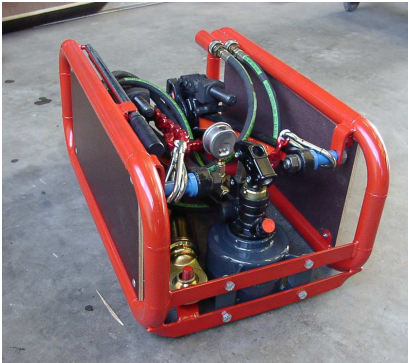


Type	2344	6184	8184	11800
Std. chain sizes	see list page 2			
⌀ Nm max.	16000	32000	65000	121000
Hydr.pump	manual	manual	petrol engine	
Pressure bar	105 / 140	95 / 140	145 / 195	135 / 175
Oiltank ltr	2	2	30	30
Dry weight kg	85	125	275	600
Frame size cm	80x50x35	100x70x60	120x80x75	130x80x75

Self contained unit include,

- * Heavy duty pipe tongs with std. chain 2x
- * Complete Hydraulic system 1x
- * 5 mtr. Hydraulic hose c/w snap couplings 2x
- * Transport & Service frame 1x

Hydraulic oil type 38 or 46 – oil not included.



2344



6184



8184



HD pipe brake out unit

Type	118
Std. chain sizes	see list page 2
⌀ Nm max.	120000
Hydr.pump	engine
Pressure bar	200
Oiltank ltr	30
Dry weight kg	900
Frame size cm	180 x 170 x 150

Self contained unit include,

- * Heavy duty pipe tong with std. chain 1x
- * Heavy duty vise tong with std. chain 1x
- * Complete Hydraulic system with 5 kW engine
- * Transport & Service frame 1x

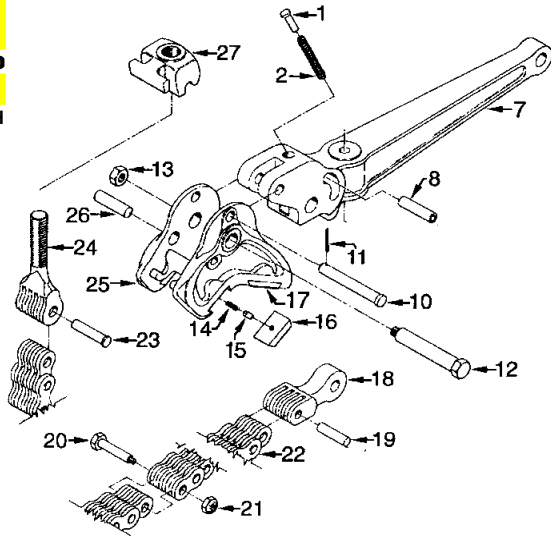
Hydraulic oil type 38 or 46 – oil not included.

Marindco Deutschland GmbH

Wrister Straße 24
D 24576 Weddelbrook

Tel: +49 (0) 4192 897 100
Fax: +49 (0) 4192 897 153

e-mail: info@marindco.de
Internet: www.marindco.de



KEY NO.	ITEM DESCRIPTION	NO. REQ'D.
1	SPRING GUIDE	1
2	SPRING	1
7	HANDLE	1
8	SPRING PIN BUSHING	1
10, 11	SPRING PIN W / COTTER	1
12, 13	JAW BOLT & NUT	1
14	INSERT KEY SPRING	4
15	INSERT KEY	4
16	BLANK INSERT	2
17	INSERT	2
18	MASTER LINK	1
19	MASTER LINK CHAIN PIN	1
20, 21	SPLICE BOLT & NUT	as req'd.
22	SPECIAL CHAIN ONLY	1
23	CHAIN SCREW PIN	1
24	CHAIN SCREW	1
25	JAW	1
26	MASTER LINK HANDLE PIN	1
27	CHAIN SCREW NUT	1

2344

Chain part no	Outside pipe Ø
151-45-07D	*2 5/8" - 3 1/2" 66 - 90 mm
151-45-09D	3 5/8" - 4 3/8" 92 - 111 mm
151-45-11D	4 1/2" - 5" 114 - 127 mm

6184

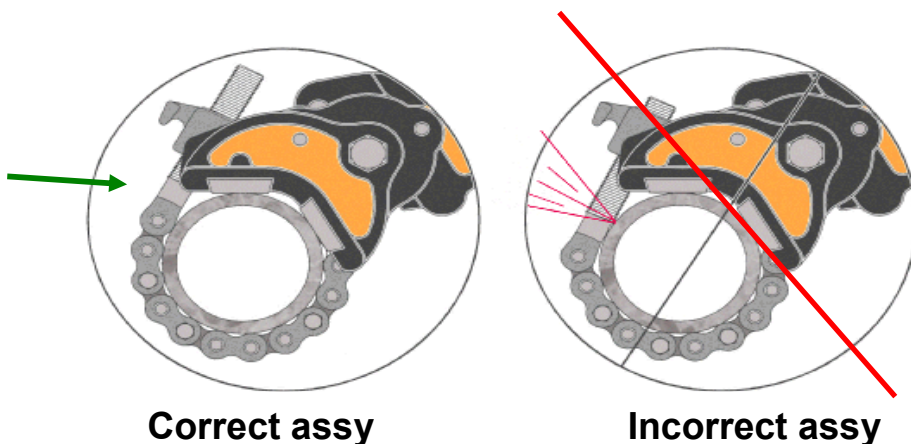
151-45-09D7	*4 1/4" - 4 3/4" 108 - 120 mm
151-45-11D7	4 3/4" - 5 3/4" 120 - 146 mm
151-45-13D7	5 3/4" - 6 5/8" 146 - 168 mm

8184

161-45-09D	4-5/8" - 5 3/4" 117 - 146 mm
161-45-11D	5-7/8" - 7" 149 - 177 mm
161-45-13D	7" - 8 1/8" 177 - 206 mm
161-45-15D	8-1/8" - 9 1/4" 206 - 235 mm
161-45-17D	9-1/4" - 10 3/8" 235 - 263 mm

11800

181-45-25T	*4" - 12" 101 - 304 mm
181-45-33T	4" - 18" 101 - 457 mm



Correct assy

Incorrect assy

Sep. 2010

Marindco Deutschland GmbH

Wrister Straße 24
D 24576 Weddelbrook

Tel: +49 (0) 4192 897 100
Fax: +49 (0) 4192 897 153

e-mail: info@marindco.de
Internet: www.marindco.de