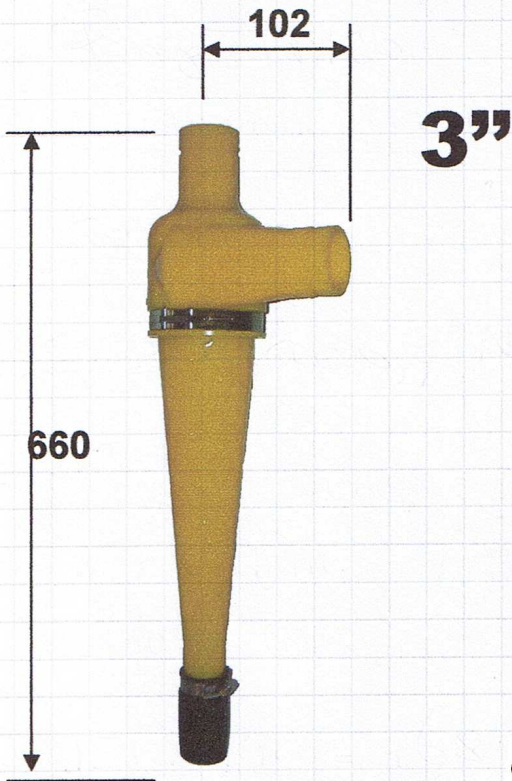


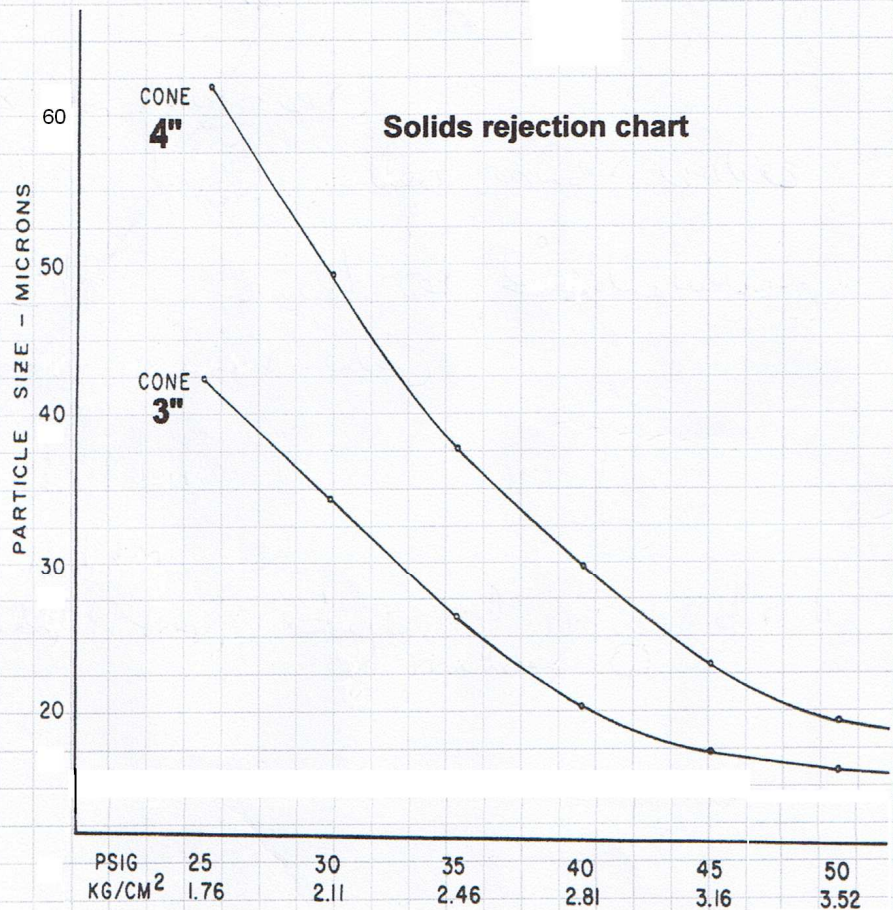
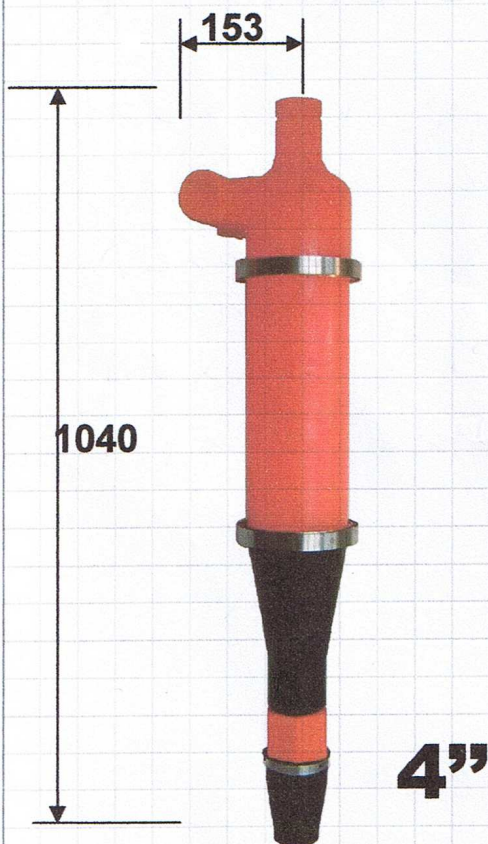
Data sheet VFSI Hydrocyclones



Cone capacity at ΔP in bar based on H₂O

| Cone size | 1,8 | 2,1 | 2,5 | 2,8 | 3,1 | 3,5 |
|-----------|-----|-----|-----|-----|-----|-----|
| 3" | 155 | 168 | 180 | 200 | 205 | 210 |
| 4" | 355 | 380 | 425 | 500 | | |

Cone inlet & outlet connection 2" clamp series 76



This drawing and the data shown thereon is confidential and proprietary and shall not be used, disclosed to others or reproduced for any purpose except for quotation to or order by Marindco Deutschland GmbH, without their written consent to the use of such drawing and/ or data.

Date :

Paint / Lackierung :

Material :

Specification :